

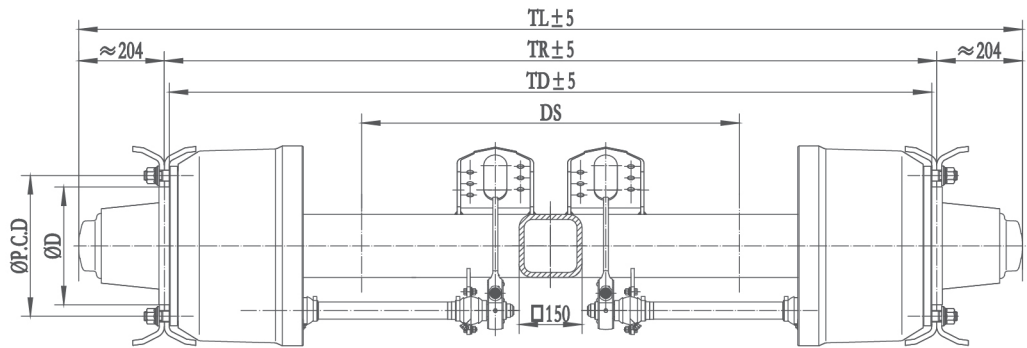


YONGLITAI AXLE

Transport your load safely
efficiently and sustainably

PRODUCT CATALOG

German Type Axle

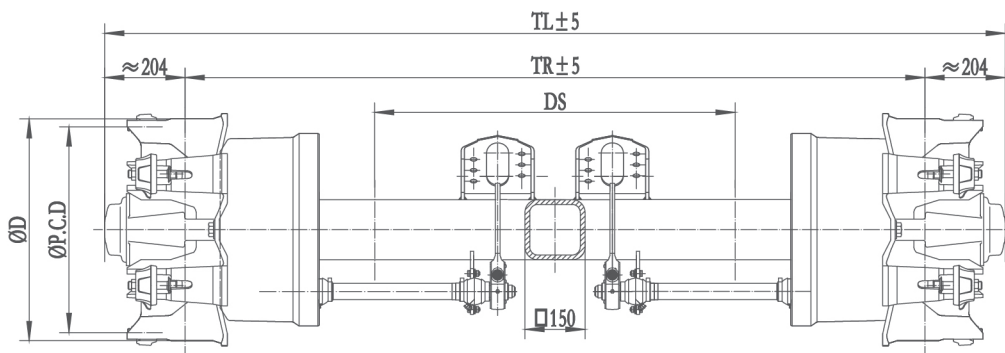
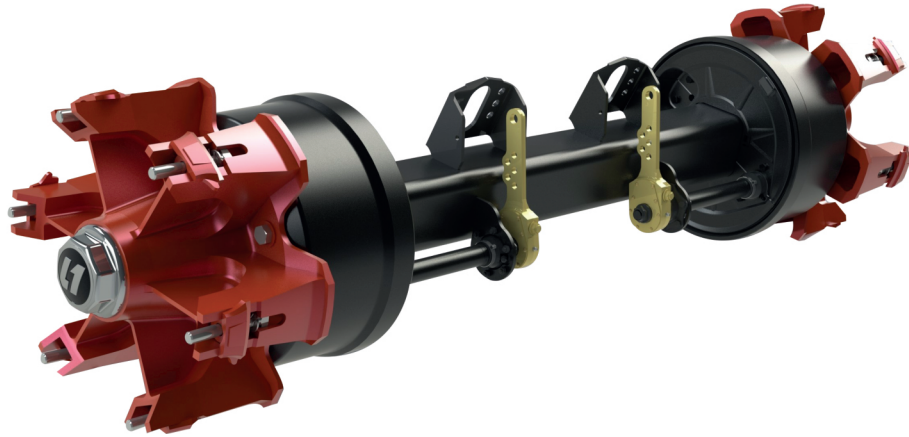


Technical parameter

Item	Max capacity at 105km/h	Brake size	Axle beam	Bearing	Track distance	Distance of spring center	Spline	Wheel fixing			Total length	Wheel
								Wheel stud	P.C.D.	Pilot hole diameter ΦD		
LTD10F11BG	10t	S420x180	□150	33118/33213	1840mm	≥900mm	10	10-M22*1.5 ISO	Φ335	Φ281mm	≈2160mm	≥8.00V-20
LTD12F11G	12t	S420x180	□150	33118/33213	1840mm	≥900mm	10	10-M22*1.5 ISO	Φ335	Φ281mm	≈2160mm	≥8.00V-20
LTD14F11G	14t	S420x200	□150	32219/33215	1840mm	≥900mm	10	10-M22*1.5 ISO	Φ335	Φ281mm	≈2190mm	≥8.00V-20
LTD16F11G	16t	S420x200	□150	32222/32314	1840mm	≥900mm	10	10-M22*1.5 ISO	Φ335	Φ281mm	≈2250mm	≥8.50V-20
LTD16F16G	16t	S420x200	□150	32222/32314	1855mm	≥900mm	10	10-M22*2 ISO	Φ335	Φ281mm	≈2250mm	≥8.50V-20
LTD18F11G	18t	S420x220	□150	32222/32314	1840mm	≥900mm	10	10-M22*1.5 ISO	Φ335	Φ281mm	≈2245mm	≥8.50V-20
LTD18F16G	18t	S420x220	□150	32222/32314	1855mm	≥900mm	10	10-M22*2 ISO	Φ335	Φ281mm	≈2245mm	≥8.50V-20

- Note:**
1. Track length is optional.
 2. ABS and automatic slack adjuster are optional.
 3. Rights of changing product design and specification are reserved.

German Type Spoke Wheel Axle



Technical parameter

Item	Max capacity at 105km/h	Brake size	Axle beam	Bearing	Track distance	Distance of spring center	Spline	Wheel fixing		Total length	Wheel
								Wheel stud	Spacer		
LTD12F68G	12t	S420x180	□ 150	33118/33213	1847mm	≥900mm	10	6-M20*2	130-24mm	≈2150mm	Spoke wheel 8.0-24
LTD14F68G	14t	S420x200	□ 150	32219/33125	1846mm	≥900mm	10	6-M20*2	147-24mm	≈2190mm	Spoke wheel 8.0-24
LTD16F68G	16t	S420x200	□ 150	32222/32314	1840mm	≥900mm	10	6-M20*2	147-24mm	≈2250mm	Spoke wheel 8.0-24
LTD18F68G	18t	S420x200	□ 150	32222/32314	1840mm	≥900mm	10	6-M20*2	147-24mm	≈2250mm	Spoke wheel 8.0-24

- Note:**
1. Track length is optional.
 2. ABS and automatic slack adjuster are optional.
 3. Rights of changing product design and specification are reserved.

The Customized Solution Provider for Running Gear Systems

YONGLITAI AXLE CO.,LTD.

- 🏠 Add.1: F1, F2, No.1, Zone E, Yonglitai Industrial Park,
Sanshui, Foshan, Guangdong, China
Add.2: Mohe Community, Economic Development Zone,
Gucheng, Xiangyang, Hubei, China
- ☎ Tel: +86-757-88311381(Oversea)
+86-757-88311360(Foshan)
+86-0710-7402969(Hubei)
- ☎ Fax: +86-757-88311322
- ✉ E-mail: sales@lctmc.com
- 🌐 Website: www.lctmc.com