



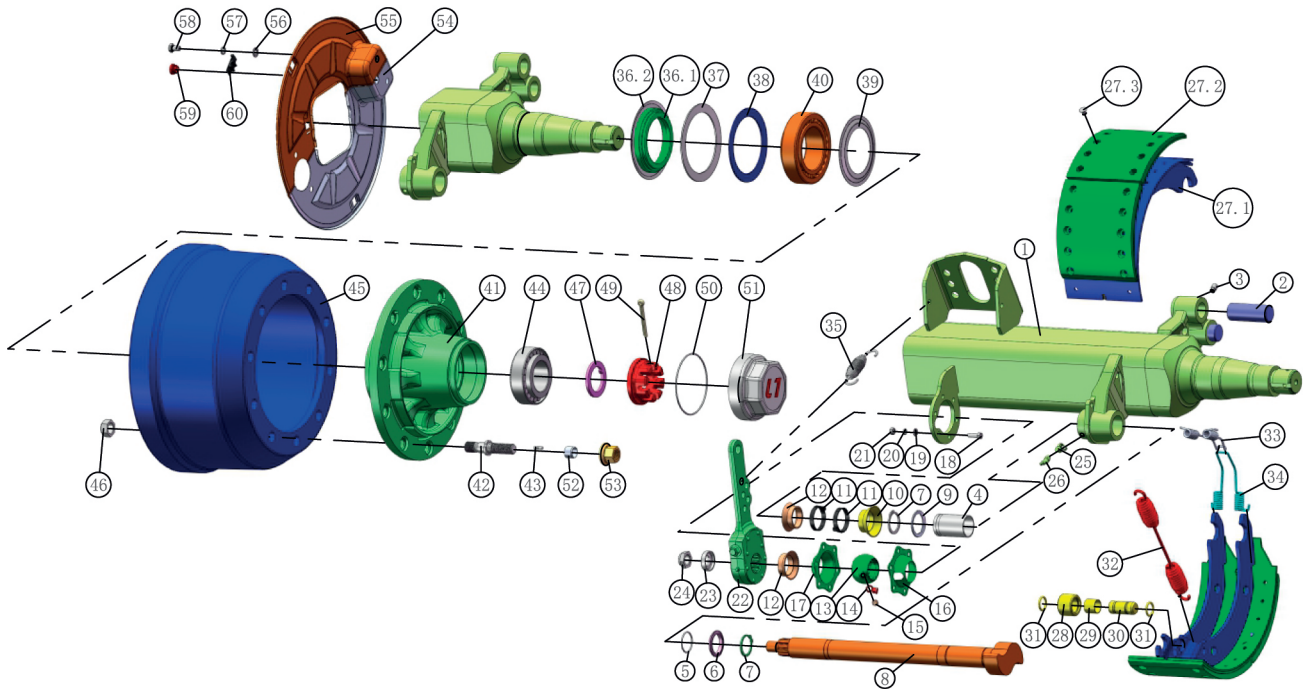
# YONGLITAI AXLE

Transport your load safely  
efficiently and sustainably

---

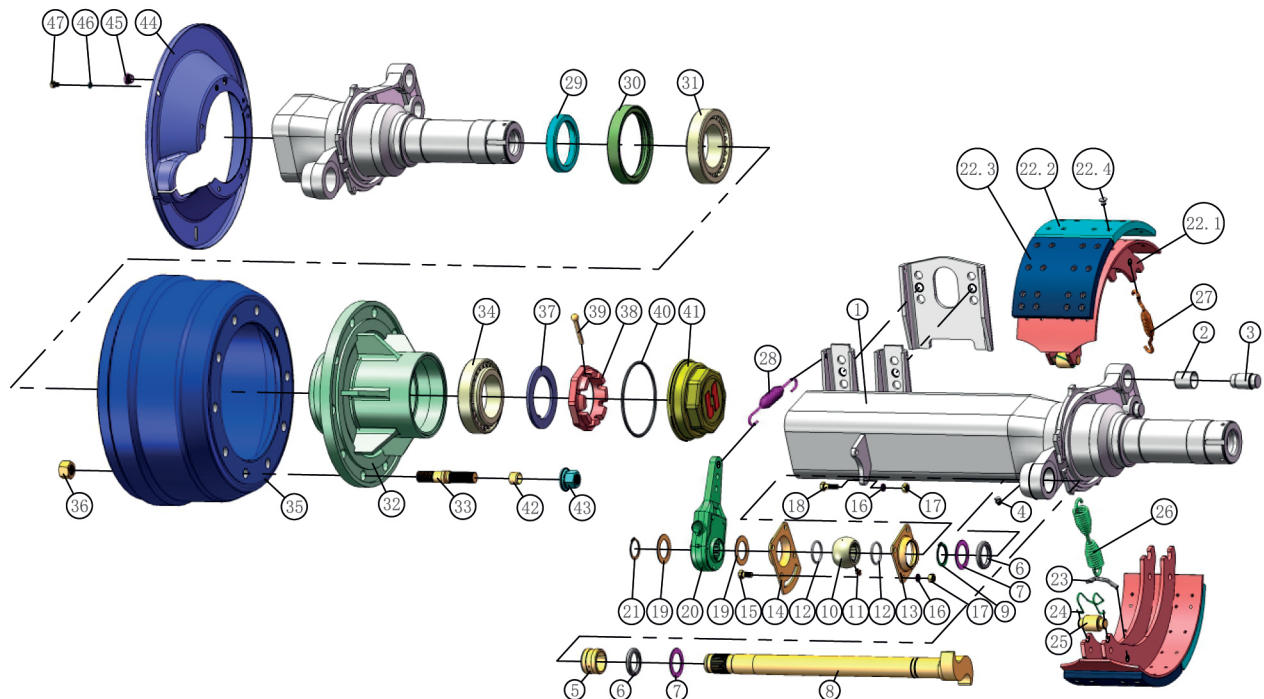
PRODUCT CATALOG

# German Type Axle Exploded View



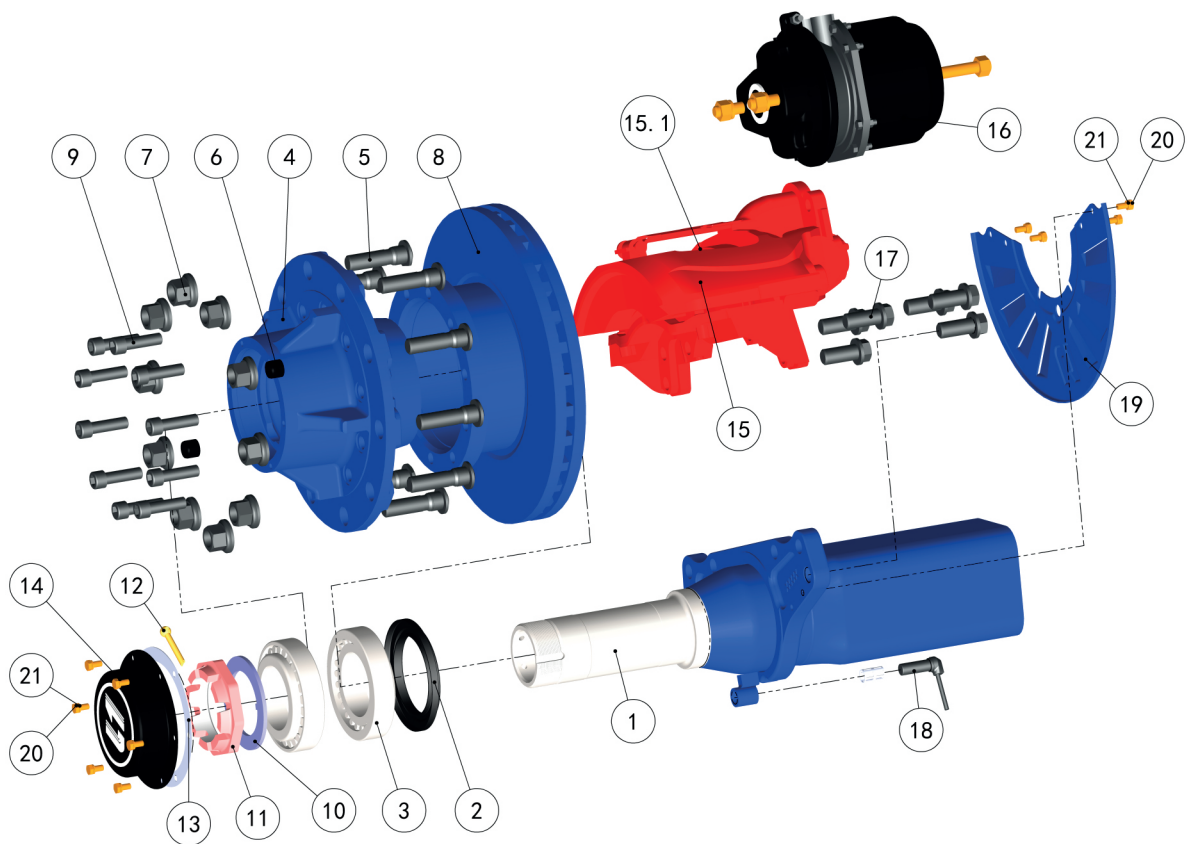
1	Axle Beam Assembly	23	Locknut Washer	40	Bearing
2	Anchor Pin	24	Cam Locknut	41	Hub
3	Inner Hexagon Bolt	25	Cap I	42	Wheel Stud
4	Cam Bush	26	M8x1 Grease Nipple	43	Pin
5	O Ring	27	Brake Shoe Assembly	44	Bearing
6	Thrust Ring	27.1	Brake Shoe Bracket	45	Brake Drum
7	Circlip	27.2	Brake Lining	46	Locknut
8	Camshaft	27.3	Tubular Rivet	47	Lock Washer
9	Nylon Ring	28	Cam Roller	48	Axle End Locknut
10	Big-dust Wrapper	29	Bush	49	Split Pin
11	Circlip	30	Cam Roller	50	O Ring
12	Middle-dust Wrapper	31	Ring	51	Hub Cap
13	Cam Bearing	32	Return Spring	52	Wheel Stud Elastic Sleeve
14	Cap II	33	Retaining Spring I	53	Wheel Nut
15	Grease Nipple	34	Retaining Spring II	54	Dust Cover
16	Bearing Box II	35	Slack Adjuster Spring	55	Dust Cover
17	Bearing Box I	36	Conical Ring Assembly	56	Washer
18	M8 Bolt	36.1	Conical Ring	57	Sping Washer
19	Washer	36.2	Conical Ring Guard Collar	58	M10 Bolt
20	Spring Washer	37	Big Hub Sealing	59	Dust Ring
21	M8 Nut	38	Small Hub Sealing	60	Plug
22	Slack Adjuster	39	Bearing Oil Baffle		

# American Type Axle Exploded View



- |    |                          |      |                                     |    |                           |
|----|--------------------------|------|-------------------------------------|----|---------------------------|
| 1  | Axle Beam Assembly       | 21   | Circlip for Axle-A Style            | 37 | Lock Washer               |
| 2  | Fixed Pin Bush           | 22   | Brake Shoe Assembly                 | 38 | Axle End Locknut          |
| 3  | Anchor Pin               | 22.1 | Brake Shoe Bracket                  | 39 | Split Pin                 |
| 4  | Grease Nipple            | 22.2 | Brake Lining II                     | 40 | O Ring                    |
| 5  | Cam Bush                 | 22.3 | Brake Lining I                      | 41 | Hub Cap                   |
| 6  | Framework Seal Ring      | 22.4 | Countersunk Head Semi-tubular Rivet | 42 | Wheel Stud Elastic Sleeve |
| 7  | Camshaft Big Washer      | 23   | Return Spring Pin                   | 43 | Wheelnut                  |
| 8  | Camshaft                 | 24   | Pin Spring Clip                     | 44 | Dust Cover                |
| 9  | Circlip for Axle-A Style | 25   | Rotator Pin                         | 45 | Dust Ring                 |
| 10 | Cam Bearing              | 26   | Return Spring                       | 46 | Sping Washer              |
| 11 | Grease Nipple            | 27   | Retaining Spring                    | 47 | Hexagon Stud              |
| 12 | O Ring                   | 28   | Slack Adjuster Spring               |    |                           |
| 13 | Bearing Box I            | 29   | Conical Ring                        |    |                           |
| 14 | Bearing Box II           | 30   | Hub Ring                            |    |                           |
| 15 | M10x20 Hexagon Stud      | 31   | Bearing                             |    |                           |
| 16 | Spring Washer            | 32   | Hub                                 |    |                           |
| 17 | M10 Hexagon Locknut      | 33   | Wheel Stud                          |    |                           |
| 18 | M10x30 Hexagon Stud      | 34   | Bearing                             |    |                           |
| 19 | Camshaft Little Washer   | 35   | Brake Drum                          |    |                           |
| 20 | Slack Adjuster           | 36   | Locknut                             |    |                           |

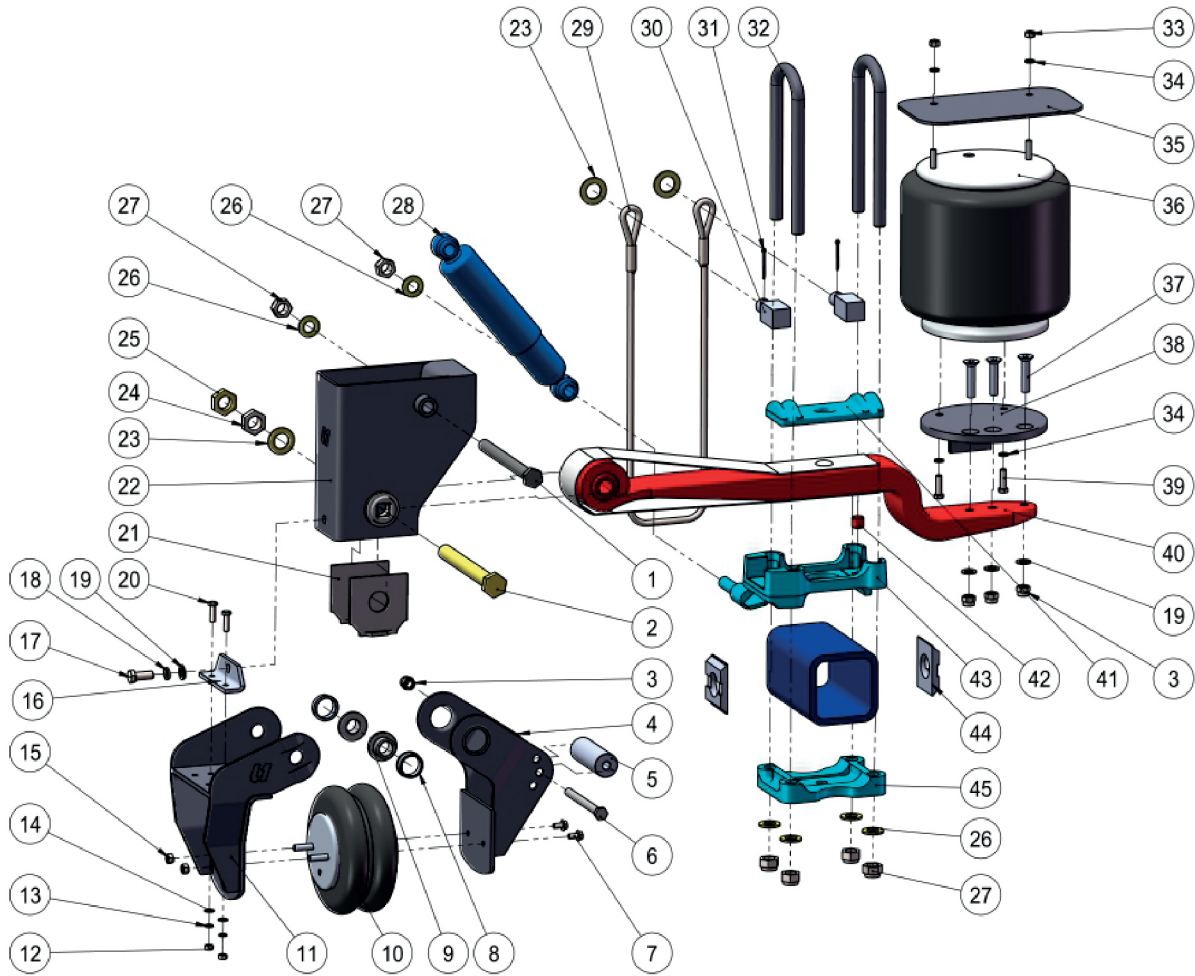
# Disk Brake Axle Exploded View



- 1 Axle Components
- 2 Hub Ring
- 3 Bearing
- 4 Hub
- 5 Wheel Stub
- 6 Wheel Stub Elastic Sleeve
- 7 Wheel Nut
- 8 Brake Rotor
- 9 Brake Caliper Lock Bolt
- 10 Lock Washer
- 11 Axle End Locknut

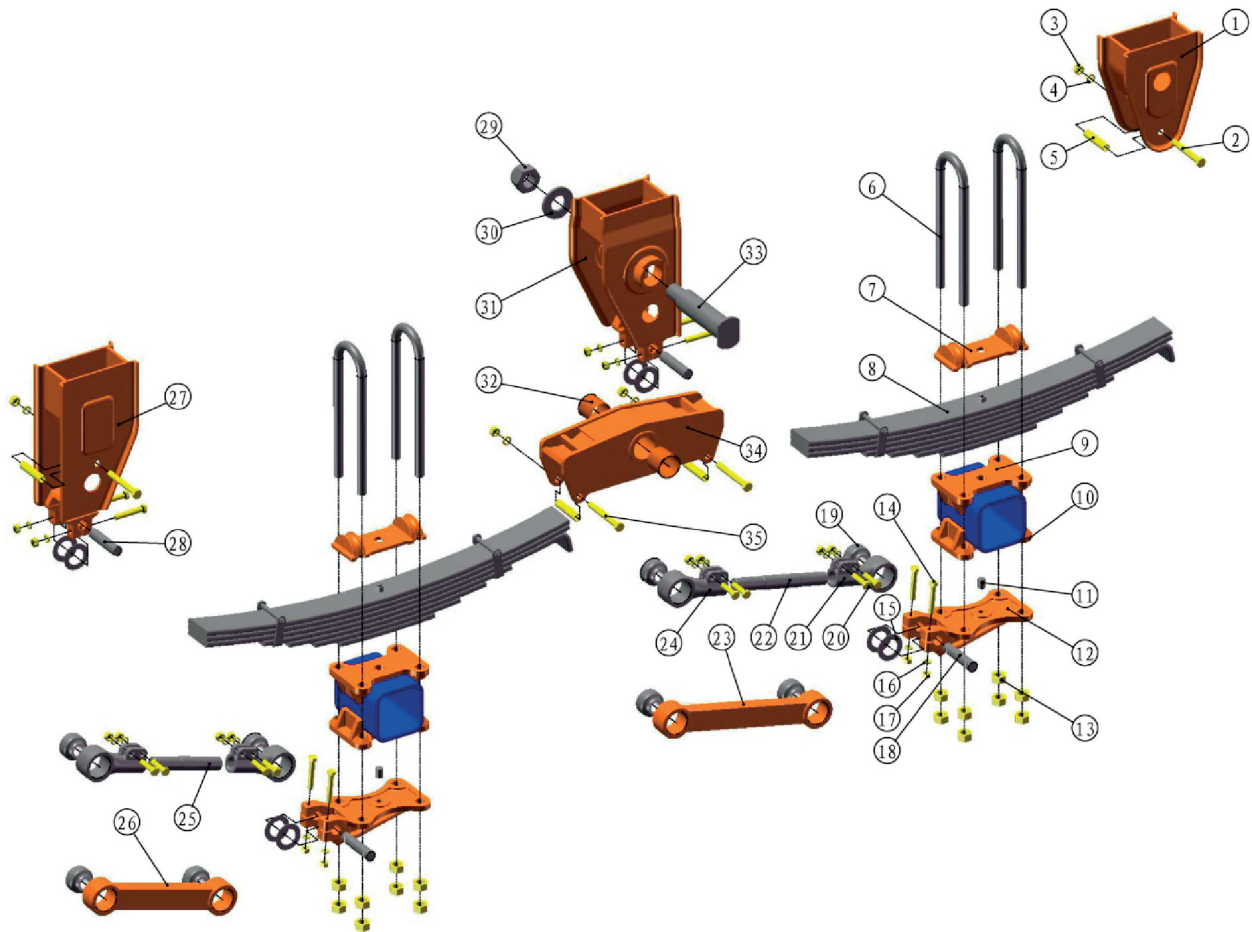
- 12 Split Nut
- 13 Hub Seal Washer
- 14 Hub Cap
- 15 Brake Caliper
- 15.1 Brake Lining Repair Kit
- 16 Air Chamber
- 17 Lock Bolt
- 18 Abs Sensor Kit
- 19 Dust Cover
- 20 Hexagon Headed Bolt
- 21 Spring Washer

# Air Suspension Exploded View



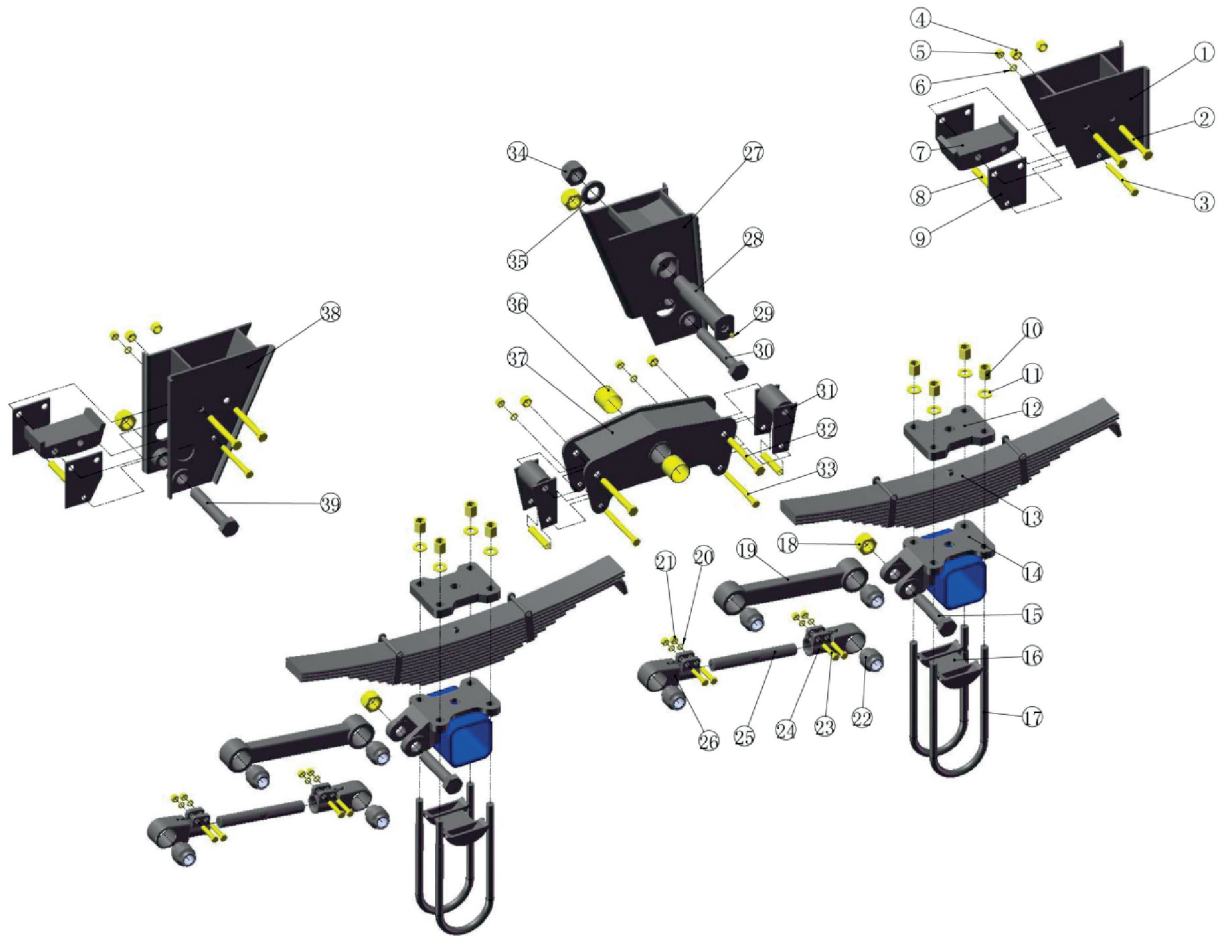
- |    |                              |    |                             |    |   |
|----|------------------------------|----|-----------------------------|----|---|
| 1  | Shock Absorber Shaft I       | 16 | Air Spring Hanger Seat      | 31 | 5x50 Split Nut                                  |
| 2  | Oriented Arm                 | 17 | M16x40 Hex Headed Bolt      | 32 | M24 U-bolt                                      |
| 3  | Self-locking Nut             | 18 | Spring Washer               | 33 | M12 Hex Headed Bolt                             |
| 4  | Lifting Hanger               | 19 | Flat Washer                 | 34 | Spring Washer                                   |
| 5  | Supporting Sleeve            | 20 | M10x35 Hex Headed Bolt      | 35 | Rear Hanger                                     |
| 6  | Supporting Shaft             | 21 | Wear-resistant Plate        | 36 | Lifting Air Spring                              |
| 7  | Lifting Air Spring Seat Bolt | 22 | Front Hanger(Left or Right) | 37 | M16x75 Hex Countersunk Head Screw               |
| 8  | Axle Sleeve II               | 23 | Flat Washer                 | 38 | Plate Components(Left or Right)                 |
| 9  | Axle Sleeve III              | 24 | M30 Locknut                 | 39 | M12x40 Hex Headed Bolt                          |
| 10 | Lifting Air Spring           | 25 | M30 Slim Nut                | 40 | Trailing arm                                    |
| 11 | Air Spring Hanger            | 26 | Flat Washer                 | 41 | U-bolt Plate                                    |
| 12 | M10 I-hex Nut                | 27 | M24 Locknut                 | 42 | Dowel   |
| 13 | Spring Washer                | 28 | Shock Absorber              | 43 | Upper Axle Seat Welding Assembly(Left or Right) |
| 14 | Flat Washer                  | 29 | Wirerope                    | 44 | Upper and Lower Connection Board                |
| 15 | Air Spring Locknut           | 30 | Wirerope Pin                | 45 | Lower Axle Seat                                 |

# American Type Mechanical Suspension Exploded View



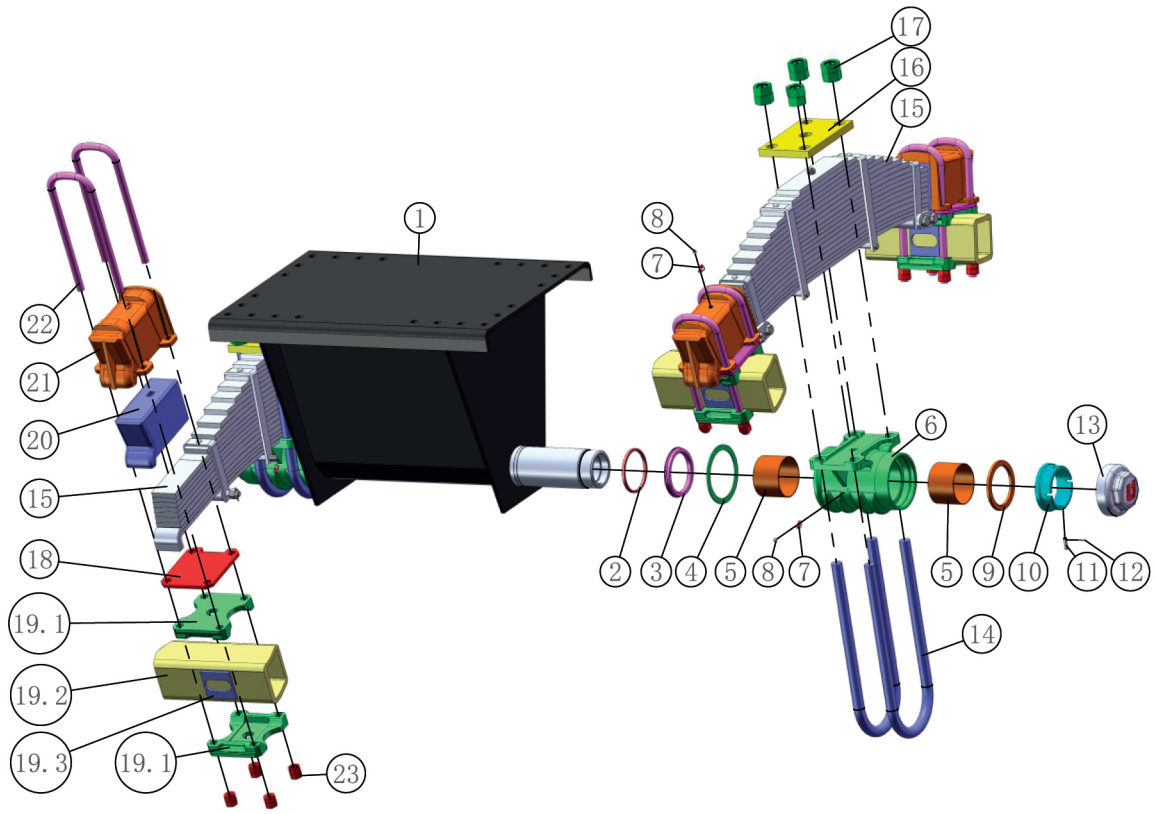
- |    |                             |    |                                |
|----|-----------------------------|----|--------------------------------|
| 1  | Rear Hanger                 | 19 | Shock-proof Bush               |
| 2  | Hexagon Headed Bolt M16×130 | 20 | Hexagon Headed Bolt M14×60     |
| 3  | Hexagon Nut M16             | 21 | Adjustable Torque Arm End R/H  |
| 4  | Spring Washer Φ16           | 22 | Adjustable Torque Arm Screw II |
| 5  | Sleeve                      | 23 | Fixed Torque Arm Assembly II   |
| 6  | U-bolt                      | 24 | Adjustable Torque Arm End L/H  |
| 7  | Cover Plate Spring          | 25 | Adjustable Torque Arm Screw I  |
| 8  | Leaf Spring Assembly        | 26 | Fixed Torque Arm Assembly I    |
| 9  | Upper Axle Seat             | 27 | Front Hanger                   |
| 10 | Lower Axle Seat             | 28 | Torque Arm Pin                 |
| 11 | Dowel                       | 29 | Lock Nut M42×3                 |
| 12 | Bracket                     | 30 | Washer Φ42                     |
| 13 | Hexagon Nut M24×2           | 31 | Middle Hanger                  |
| 14 | Hexagon Headed Bolt M14×85  | 32 | Equalizer Bush                 |
| 15 | Seal Washer                 | 33 | Equalizer Axis                 |
| 16 | Spring Washer Φ14           | 34 | Equalizer                      |
| 17 | Hexagon Nut M14             | 35 | Hexagon Headed Bolt M16×140    |
| 18 | Bracket Coupling Pin        |    |                                |

## German Type Mechanical Suspension Exploded View



- |    |                             |    |                                   |
|----|-----------------------------|----|-----------------------------------|
| 1  | Rear Hanger                 | 21 | Hexagon Nut M14                   |
| 2  | Hexagon Headed Bolt M20×160 | 22 | Shock-proof Bush                  |
| 3  | Hexagon Headed Bolt M16×160 | 23 | Hexagon Headed Bolt M14×70        |
| 4  | Lock Nut M20                | 24 | Adjustable Torque Arm End R/H     |
| 5  | Hexagon Nut M16             | 25 | Adjustable Torque Arm Screw       |
| 6  | Spring Washer Φ16           | 26 | Adjustable Torque Arm End L/H     |
| 7  | Hanger Spacer               | 27 | Middle Hanger                     |
| 8  | Sleeve                      | 28 | Equalizer Axis                    |
| 9  | Reinforcing Plate           | 29 | Grease Cup                        |
| 10 | Hexagon Nut M24×2           | 30 | Hexagon Headed Bolt M36×225       |
| 11 | Washer Φ24                  | 31 | Reinforcing Bracket For Equalizer |
| 12 | Upper Axle Seat             | 32 | Hexagon Headed Bolt M20×170       |
| 13 | Leaf Spring Assembly        | 33 | Hexagon Headed Bolt M16×170       |
| 14 | Lower Axle Seat             | 34 | Lock Nut M42×3                    |
| 15 | Hexagon Headed Bolt M36×165 | 35 | Washer Φ42                        |
| 16 | U-bolt Seat Plate           | 36 | Equalizer Bush                    |
| 17 | U-bolt                      | 37 | Equalizer                         |
| 18 | Lock Nut M36                | 38 | Front Hanger                      |
| 19 | Fixed Torque Arm Assembly   | 39 | Hexagon Headed Bolt M36×195       |
| 20 | Spring Washer Φ14           |    |                                   |

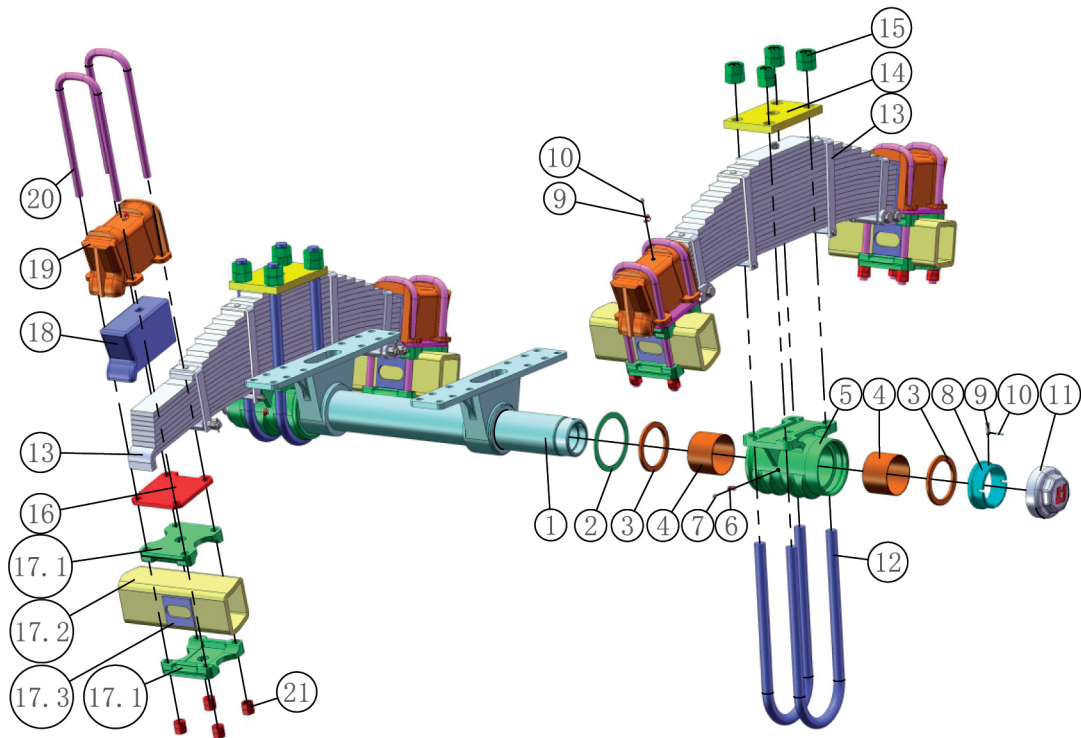
# High Mounting Bogie Exploded View



- |    |                                |      |                                |
|----|--------------------------------|------|--------------------------------|
| 1  | Bogie Bracket Welding Assembly | 14   | U-bolt II                      |
| 2  | Spacing Ring                   | 15   | Leaf Spring                    |
| 3  | Oil Sealing Bracket            | 16   | U-bolt II Seat                 |
| 4  | Oil Sealing                    | 17   | Nut II                         |
| 5  | Bush                           | 18   | Spring Seat Plate              |
| 6  | Balance Shaft Bracket          | 19   | Axle Assembly With Spring Seat |
| 7  | Cap                            | 19.1 | Spring Seat                    |
| 8  | Grease Nipple                  | 19.2 | Axle Assembly                  |
| 9  | Ring                           | 19.3 | Spring Seat Fixing Plate       |
| 10 | Balance Shaft Nut              | 20   | Spring Cushion                 |
| 11 | Bolt                           | 21   | Spring Bracket Casing          |
| 12 | Split Pin                      | 22   | U-bolt I                       |
| 13 | Balance Shaft Cap              | 23   | Nut I                          |



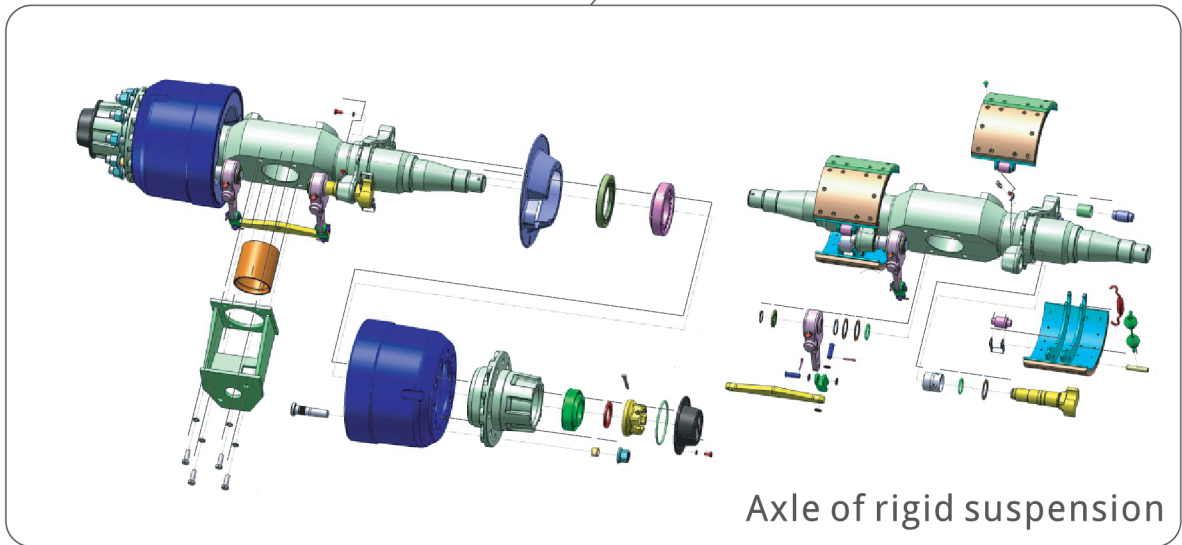
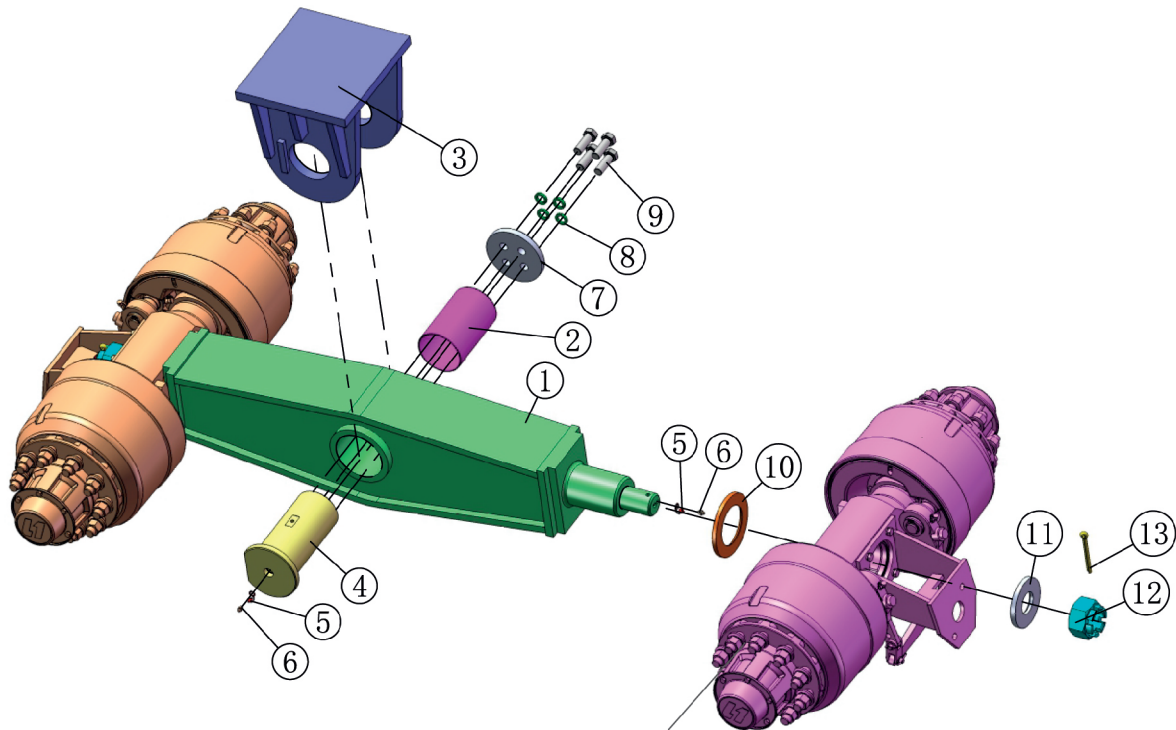
# Low Mounting Bogie Exploded View



- 1 Bogie Bracket Welding Assembly
- 2 Oil Sealing
- 3 Ring
- 4 Bush
- 5 Balance Shaft Bracket
- 6 Cap
- 7 Grease Nipple
- 8 Balance Shaft Nut
- 9 Bolt
- 10 Split Pin
- 11 Balance Shaft Cap
- 12 U-bolt II

- 13 Leaf Spring
- 14 U-bolt II Seat
- 15 Nut II
- 16 Spring Seat Plate
- 17.1 Spring Seat
- 17.2 Axle Assembly
- 17.3 Spring Seat Fixing Plate
- 18 Spring Cushion
- 19 Spring Bracket Casing
- 20 U-bolt I
- 21 Nut I

# Rigid Suspension Exploded View



- 1 Balance Shaft Welded Assembly
- 2 Middle Pin Bush
- 3 Balance Shaft Bracket
- 4 Middle Pin
- 5 Cap I
- 6 Grease Nipple
- 7 Axle End Baffle Plate

- 8 Spring Washer
- 9 Bolt
- 10 Washer I
- 11 Washer II
- 12 Balance Shaft Nut
- 13 Split Pin

---

# The Customized Solution Provider for Running Gear Systems

## YONGLITAI AXLE CO.,LTD.

---

- 🏠 Add.1: F1, F2, No.1, Zone E, Yonglitai Industrial Park,  
Sanshui, Foshan, Guangdong, China  
Add.2: Mohe Community, Economic Development Zone,  
Gucheng, Xiangyang, Hubei, China
- ☎ Tel: +86-757-88311381(Oversea)  
+86-757-88311360(Foshan)  
+86-0710-7402969(Hubei)
- ☎ Fax: +86-757-88311322
- ✉ E-mail: [sales@lctmc.com](mailto:sales@lctmc.com)
- 🌐 Website: [www.lctmc.com](http://www.lctmc.com)