

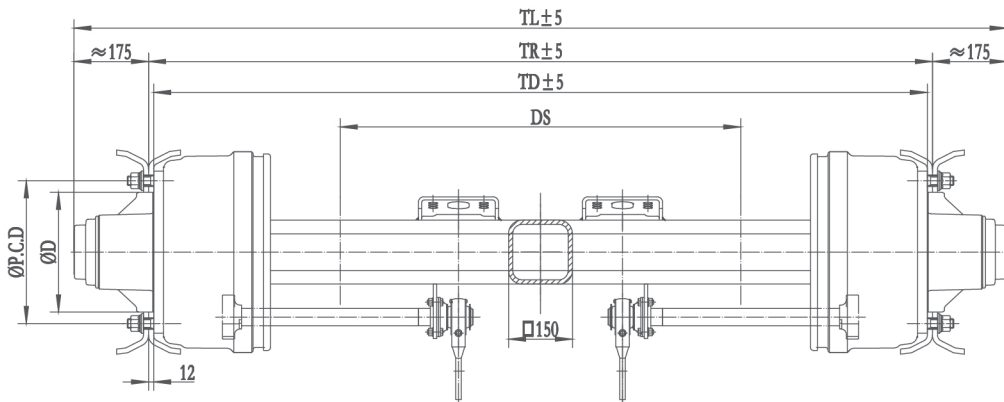
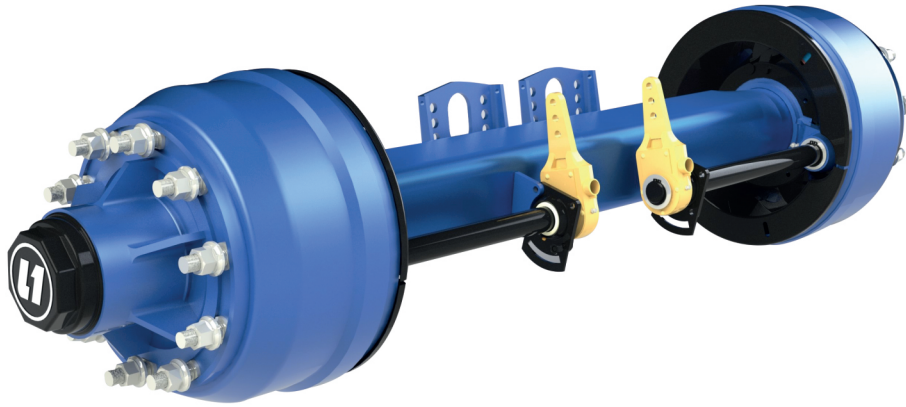


YONGLITAI AXLE

Transport your load safely
efficiently and sustainably

PRODUCT CATALOG

American Type In-board Axle

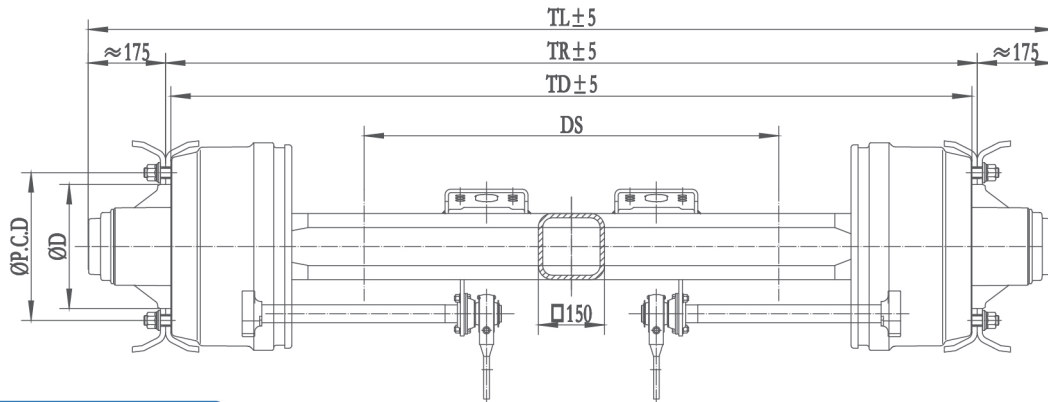
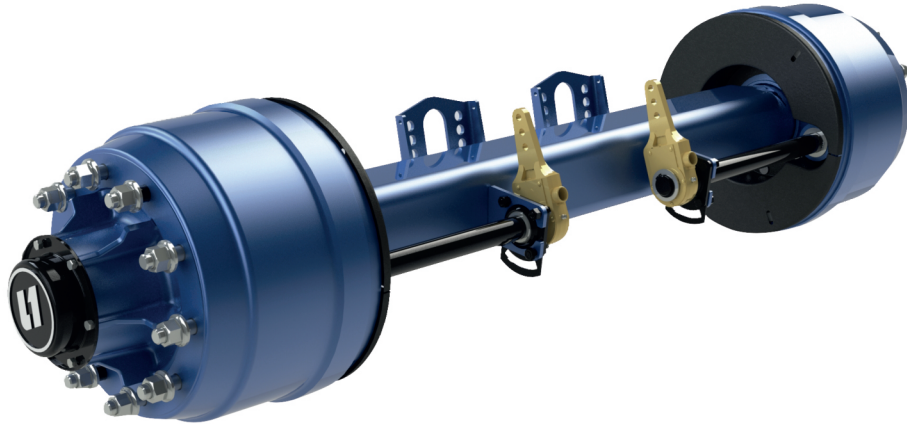


Technical parameter

Item	Max capacity at 105km/h	Brake size	Axle beam	Bearing	Track distance	Distance of spring center	Spline	Wheel fixing			Total length	Wheel
								Wheel stud	P.C.D.	Pilot hole diameter ΦD		
LTD10F11	10t	S420x180	□150	HM518445/10	1840mm	≥ 940 mm	37	10-M22*1.5 ISO	$\Phi 335$	$\Phi 281$ mm	≈ 2190 mm	$\geq 8.00V-20$
LTD13F11	13t	S420x180	□150	HM518445/10	1840mm	≥ 940 mm	37	10-M22*1.5 ISO	$\Phi 335$	$\Phi 281$ mm	≈ 2190 mm	$\geq 8.00V-20$
LTD14F11	14t	S420x220	□150	HM518445/10	1840mm	≥ 940 mm	37	10-M22*1.5 ISO	$\Phi 335$	$\Phi 281$ mm	≈ 2190 mm	$\geq 8.00V-20$
LTD16F11	16t	S420x220	□150	HM220149/10 HM518445/10	1850mm	≥ 940 mm	37	10-M22*1.5 ISO	$\Phi 335$	$\Phi 281$ mm	≈ 2210 mm	$\geq 8.50V-20$
LTD20F13	20t	S420x220	□150	32222 HM518445/10	1850mm	≥ 940 mm	37	10-M24*1.5 ISO	$\Phi 335$	$\Phi 281$ mm	≈ 2260 mm	$\geq 8.50V-20$
LTD08Y11	8t	S420x150	$\Phi 127$	33215 33213	1850mm	≥ 1080 mm	37	10-M22*1.5 ISO	$\Phi 335$	$\Phi 281$ mm	≈ 2145 mm	$\geq 7.50V-20$
LTD12Y11	12t	S420x180	$\Phi 127$	HM518445/10	1820mm	≥ 950 mm	37/28	10-M22*1.5 ISO	$\Phi 335$	$\Phi 281$ mm	≈ 2170 mm	$\geq 8.00V-20$
LTD13Y11	13t	S420x180	$\Phi 127$	HM518445/10	1820mm	≥ 950 mm	37/28	10-M22*1.5 ISO	$\Phi 335$	$\Phi 281$ mm	≈ 2170 mm	$\geq 8.00V-20$

- Note:**
1. Track length is optional.
 2. ABS and automatic slack adjuster are optional.
 3. Rights of changing product design and specification are reserved.

American Type Out-board Axle

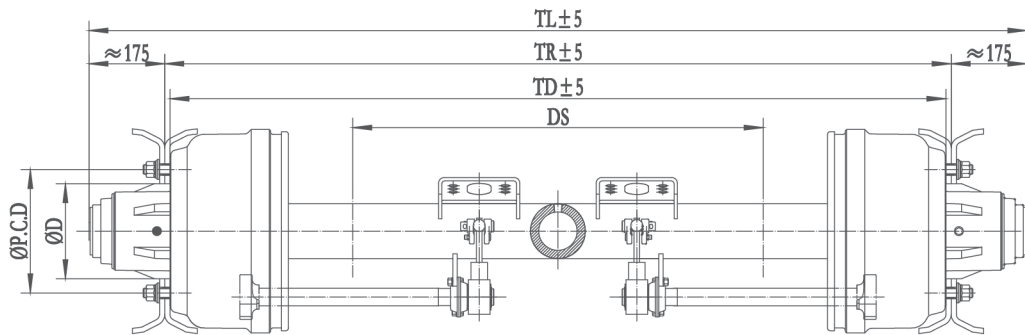
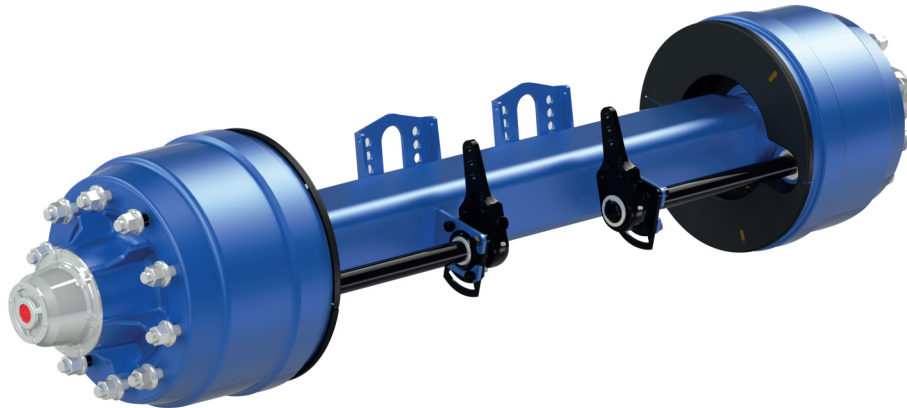


Technical parameter

Item	Max capacity at 105km/h	Brake size	Axle beam	Bearing	Track distance	Distance of spring center	Spline	Wheel fixing			Total length	Wheel
								Wheel stud	P.C.D.	Pilot hole diameter ΦD		
LTD13F21	13t	S420x180	$\square 150$	HM518445/10	1840mm	≥ 940 mm	37	10-M22*1.5 ISO	$\Phi 335$	$\Phi 281$ mm	≈ 2190 mm	$\geq 8.00V-20$
LTD14F21	14t	S420x220	$\square 150$	HM518445/10	1840mm	≥ 940 mm	37	10-M22*1.5 ISO	$\Phi 335$	$\Phi 281$ mm	≈ 2190 mm	$\geq 8.00V-20$
LTD12Y21	12t	S420x180	$\Phi 127$	HM518445/10	1820mm	≥ 950 mm	37/28	10-M22*1.5 ISO	$\Phi 335$	$\Phi 281$ mm	≈ 2170 mm	$\geq 8.00V-20$
LTD13Y21	13t	S420x180	$\Phi 127$	HM518445/10	1820mm	≥ 950 mm	37/28	10-M22*1.5 ISO	$\Phi 335$	$\Phi 281$ mm	≈ 2170 mm	$\geq 8.00V-20$
LTD12Y20	12t	S420x180Q	$\Phi 127$	HM518445/10	1820mm	≥ 950 mm	28	10-M22*1.5 ISO	$\Phi 285.75$	$\Phi 220$ mm	≈ 2170 mm	$\geq 8.00V-20$
LTD13Y20	13t	S420x180Q	$\Phi 127$	HM518445/10	1820mm	≥ 950 mm	28	10-M22*1.5 ISO	$\Phi 285.75$	$\Phi 220$ mm	≈ 2170 mm	$\geq 8.00V-20$
LTD10YN20	10t	S420x180Q	$\Phi 127$	HM218248/10 HM212049/11	1816mm	≥ 950 mm	28	10-M22*1.5 ISO	$\Phi 285.75$	$\Phi 220$ mm	≈ 2170 mm	$\geq 8.00V-20$
LTD12YN20	12t	S420x180Q	$\Phi 127$	HM218248/10 HM212049/11	1816mm	≥ 950 mm	28	10-M22*1.5 ISO	$\Phi 285.75$	$\Phi 220$ mm	≈ 2170 mm	$\geq 8.00V-20$
LTD13YN20	13t	S420x180Q	$\Phi 127$	HM218248/10 HM212049/11	1816mm	≥ 950 mm	28	10-M22*1.5 ISO	$\Phi 285.75$	$\Phi 220$ mm	≈ 2170 mm	$\geq 8.00V-20$
LTD13FB21	13t	S420x200Q	$\square 150$	32218	1840mm	≥ 940 mm	28	10-M22*1.5 ISO	$\Phi 335$	$\Phi 281$ mm	≈ 2150 mm	$\geq 8.00V-20$
LTD13YB21	13t	S420x200Q	$\Phi 127$	32218	1840mm	≥ 940 mm	28	10-M22*1.5 ISO	$\Phi 335$	$\Phi 281$ mm	≈ 2150 mm	$\geq 8.00V-20$

- Note:**
1. Track length is optional.
 2. ABS and automatic slack adjuster are optional.
 3. Rights of changing product design and specification are reserved.

Oil Lubricated Axle

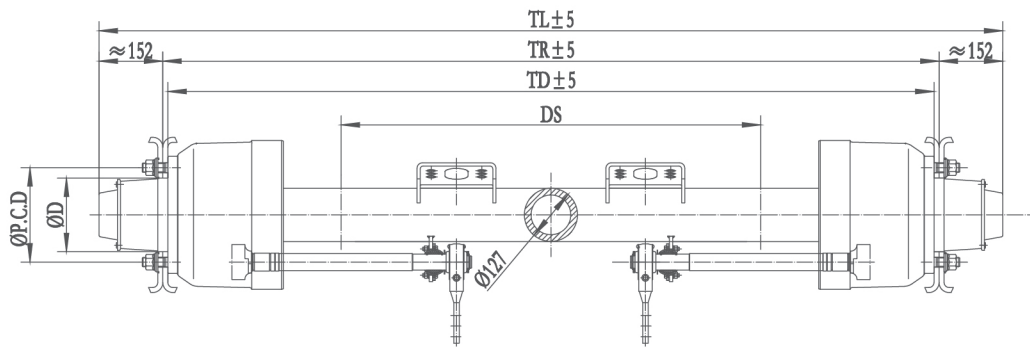
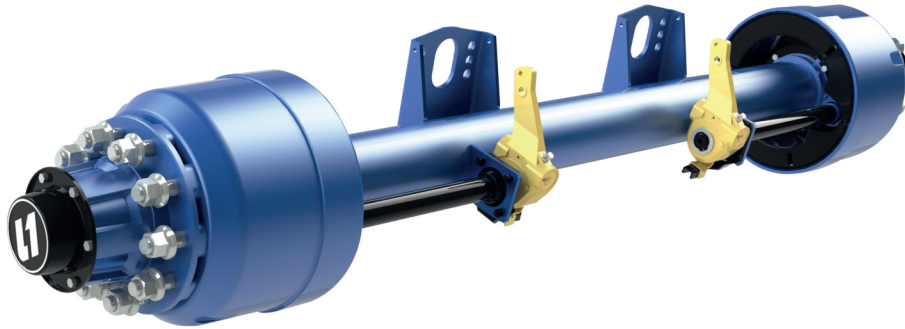


Technical parameter

Item	Max capacity at 105km/h	Brake size	Axle beam	Bearing	Track distance	Distance of spring center	Spline	Wheel fixing			Total length	Wheel
								Wheel stud	P.C.D.	Pilot hole diameter ΦD		
LTD13F21Y	13t	S420x180	□150	HM518445/10	1840mm	≥940mm	37	10-M22*1.5 ISO	Φ335	Φ281mm	≈2190mm	≥8.00V-20
LTD14F21Y	14t	S420x220	□150	HM518445/10	1840mm	≥940mm	37	10-M22*1.5 ISO	Φ335	Φ281mm	≈2190mm	≥8.00V-20
LTD12Y21Y	12t	S420x180	Φ127	HM518445/10	1820mm	≥950mm	37/28	10-M22*1.5 ISO	Φ335	Φ281mm	≈2170mm	≥8.00V-20
LTD13Y21Y	13t	S420x180	Φ127	HM518445/10	1820mm	≥950mm	37/28	10-M22*1.5 ISO	Φ335	Φ281mm	≈2170mm	≥8.00V-20
LTD12Y20Y	12t	S420x180Q	Φ127	HM518445/10	1820mm	≥950mm	28	10-M22*1.5 ISO	Φ285.75	Φ220mm	≈2170mm	≥8.00V-20
LTD13Y20Y	13t	S420x180Q	Φ127	HM518445/10	1820mm	≥950mm	28	10-M22*1.5 ISO	Φ285.75	Φ220mm	≈2170mm	≥8.00V-20
LTD10YN20Y	10t	S420x180Q	Φ127	HM218248/10 HM212049/11	1816mm	≥950mm	28	10-M22*1.5 ISO	Φ285.75	Φ220mm	≈2170mm	≥8.00V-20
LTD12YN20Y	12t	S420x180Q	Φ127	HM218248/10 HM212049/11	1816mm	≥950mm	28	10-M22*1.5 ISO	Φ285.75	Φ220mm	≈2170mm	≥8.00V-20
LTD13YN20Y	13t	S420x180Q	Φ127	HM218248/10 HM212049/11	1816mm	≥950mm	28	10-M22*1.5 ISO	Φ285.75	Φ220mm	≈2170mm	≥8.00V-20

- Note:**
1. Track length is optional.
 2. ABS and automatic slack adjuster are optional.
 3. Rights of changing product design and specification are reserved.

Low Bed Axle

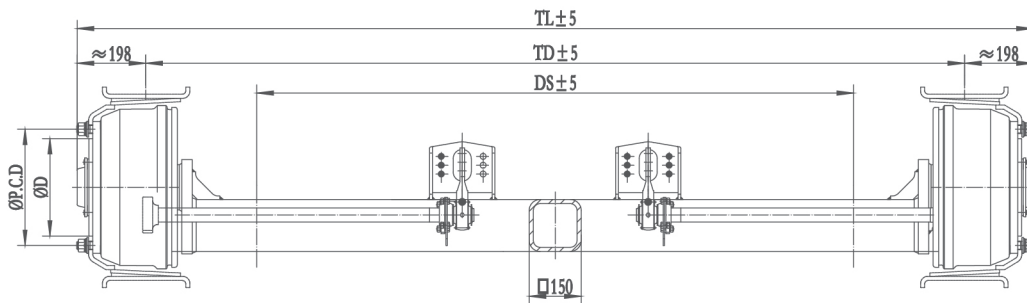
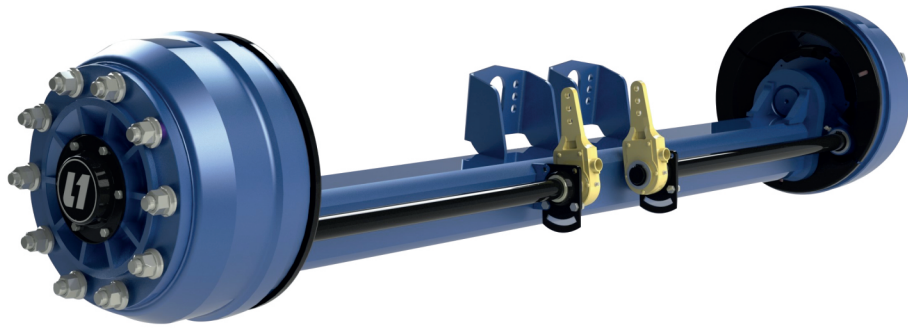


Technical parameter

Item	Max capacity at 105km/h	Brake size	Axle beam	Bearing	Track distance	Distance of spring center	Spline	Wheel fixing			Total length	Wheel
								Wheel stud	P.C.D.	Pilot hole diameter ΦD		
LTD11Y10	11t	S311x190	$\Phi 127$	33213 HM518445/10	1850mm	≥ 1000 mm	10	10-M22*1.5 ISO	$\Phi 225$	$\Phi 176$ mm	≈ 2155 mm	$\geq 6.5-15$
LTD13Y10	13t	S311x190	$\Phi 127$	33213 HM518445/10	1850mm	≥ 1000 mm	10	10-M22*1.5 ISO	$\Phi 225$	$\Phi 176$ mm	≈ 2155 mm	$\geq 6.5-15$

- Note:**
1. Track length is optional.
 2. ABS and automatic slack adjuster are optional.
 3. Rights of changing product design and specification are reserved.

Car Transport Trailer Axle



Technical parameter

Item	Max capacity at 105km/h	Brake size	Axle beam	Bearing	Track distance	Distance of spring center	Spline	Wheel fixing			Total length	Wheel
								Wheel stud	P.C.D.	Pilot hole diameter ΦD		
LTS10U11	10t	S420x150	□140	HM518445/10 33213	2335mm	1695mm	37	10-M22*1.5 ISO	Φ335	Φ281mm	≈2735mm	7.5V-20 ET=153
LTS10V11	10t	S420x150	Φ127	HM518445/10 33213	2240mm	1500mm	37	10-M22*1.5 ISO	Φ335	Φ281mm	≈2540mm	7.5V-20 ET=153
LTS10L11	10t	S420x150	□150	HM518445/10 33213	2200mm	1560mm	37	10-M22*1.5 ISO	Φ335	Φ281mm	≈2600mm	7.5V-20 ET=153

- Note:**
1. Track length is optional.
 2. ABS and automatic slack adjuster are optional.
 3. Rights of changing product design and specification are reserved.

The Customized Solution Provider for Running Gear Systems

YONGLITAI AXLE CO.,LTD.

- 🏠 Add.1: F1, F2, No.1, Zone E, Yonglitai Industrial Park,
Sanshui, Foshan, Guangdong, China
Add.2: Mohe Community, Economic Development Zone,
Gucheng, Xiangyang, Hubei, China
- ☎ Tel: +86-757-88311381(Oversea)
+86-757-88311360(Foshan)
+86-0710-7402969(Hubei)
- 📠 Fax: +86-757-88311322
- ✉ E-mail: sales@lctmc.com
- 🌐 Website: www.lctmc.com